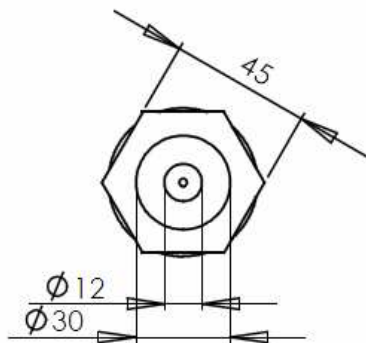
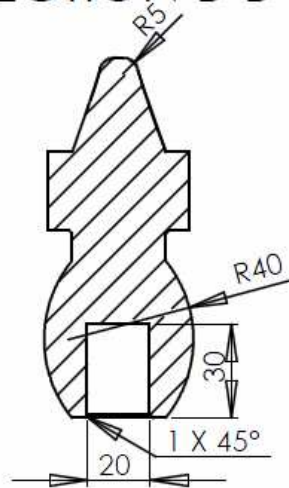
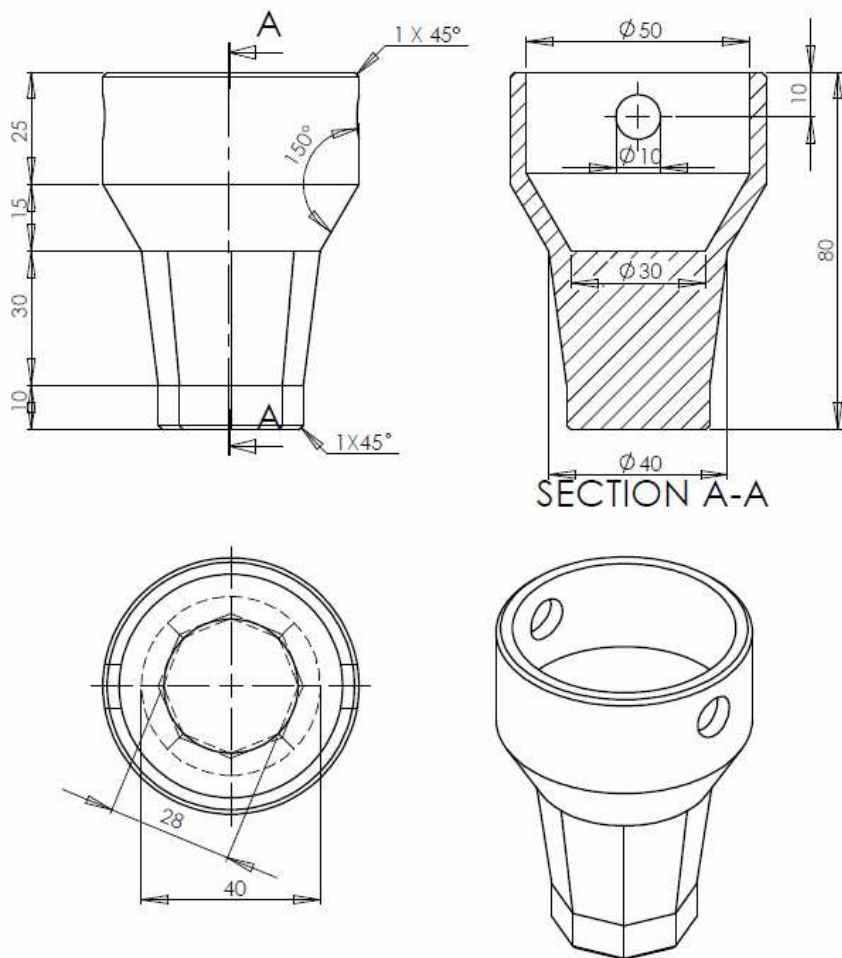
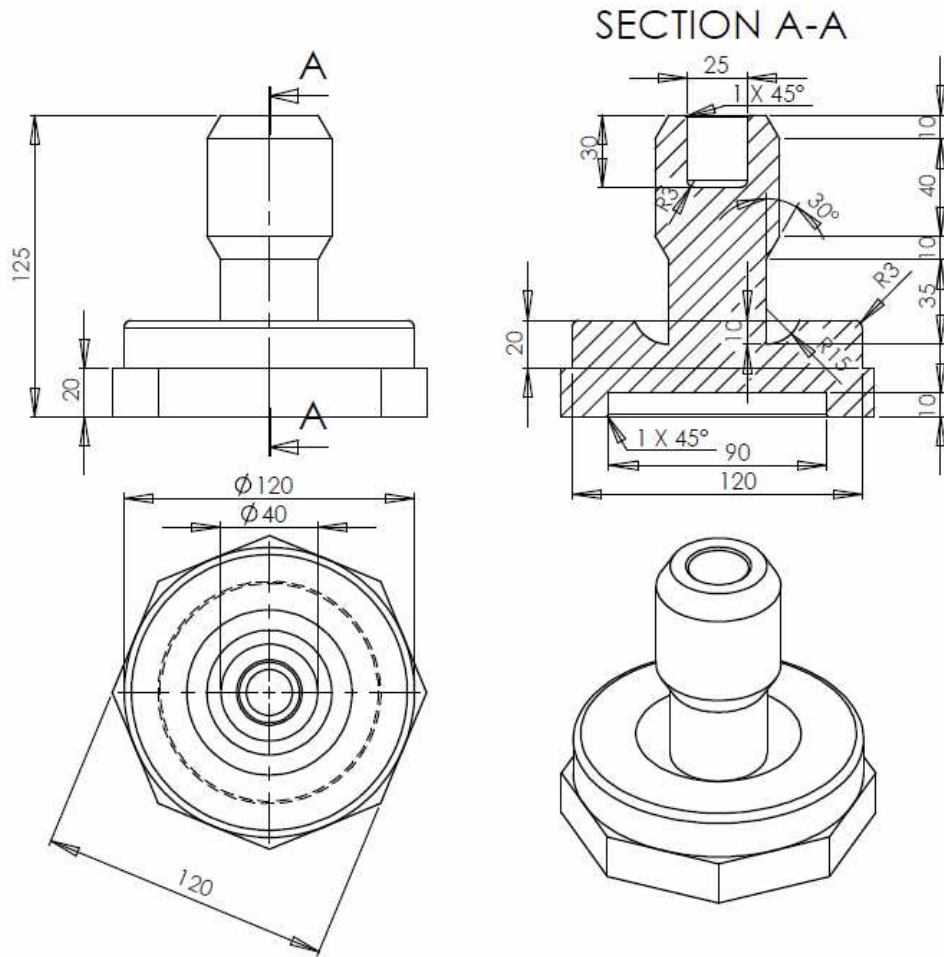
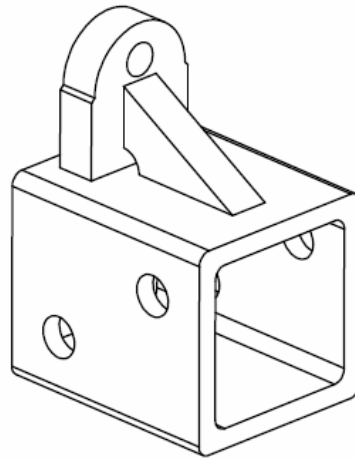
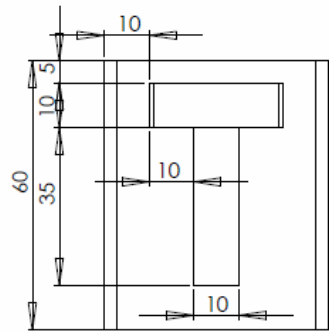
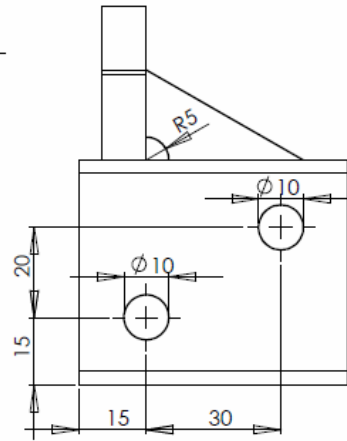
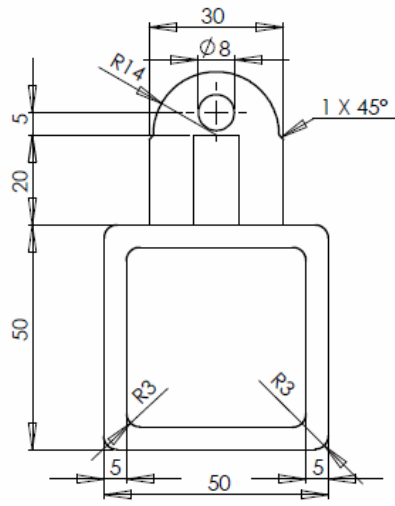


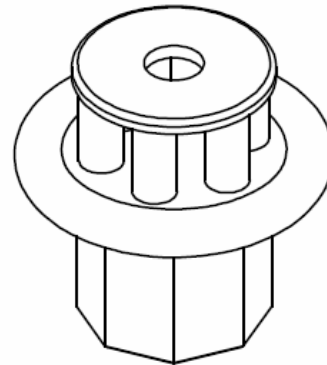
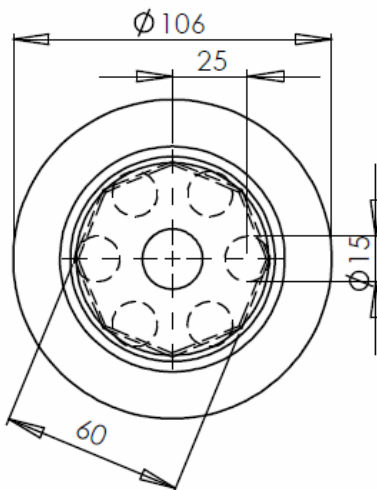
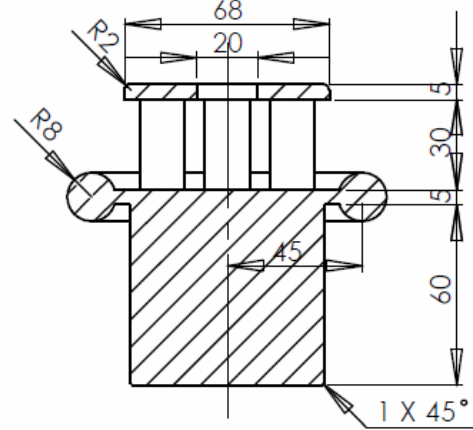
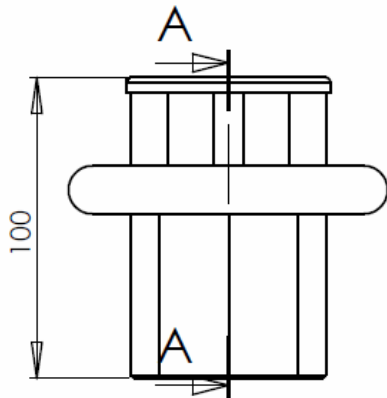
SECTION B-B

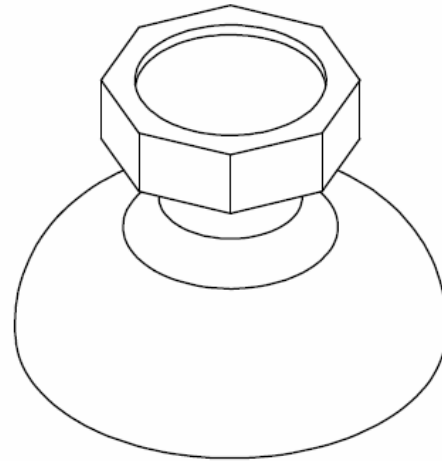
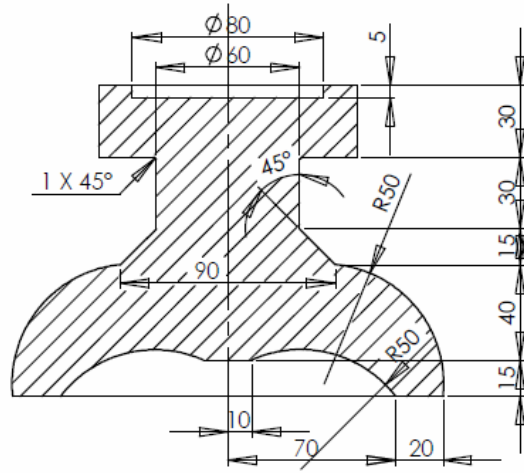
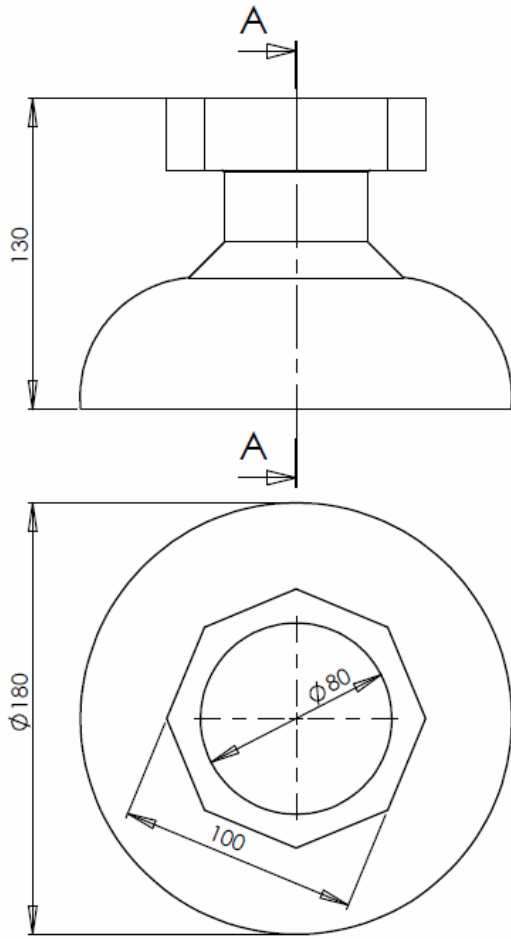




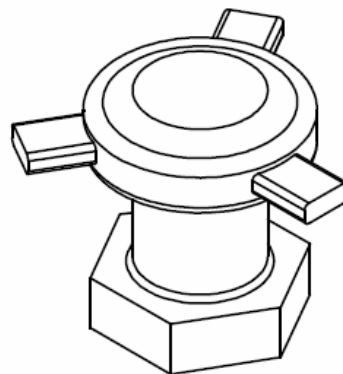
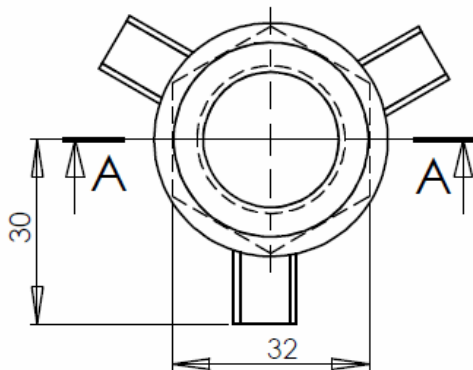
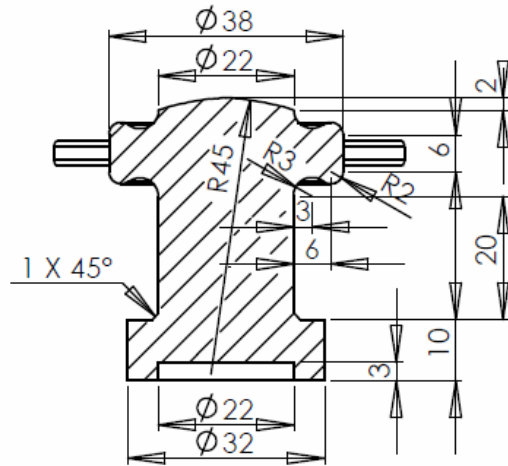
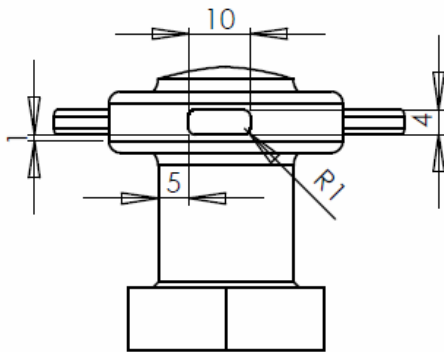


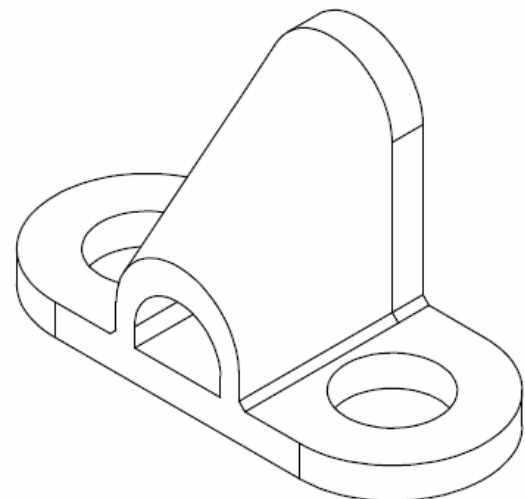
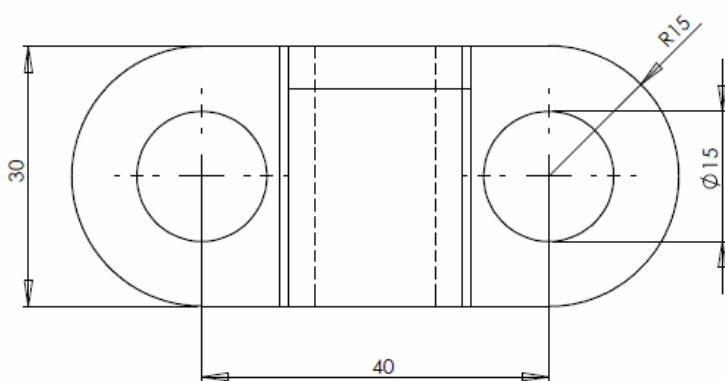
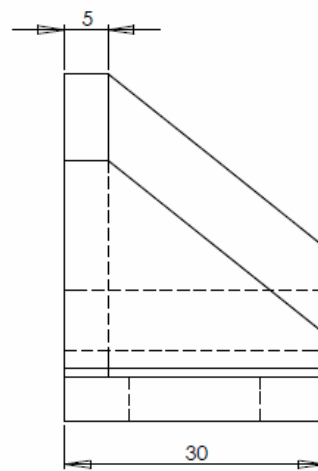
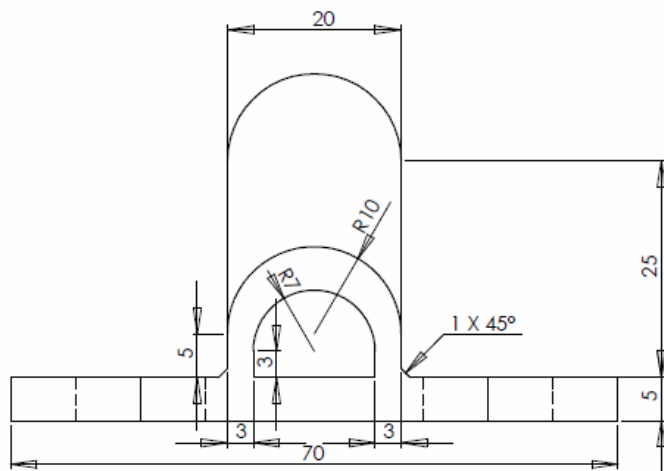
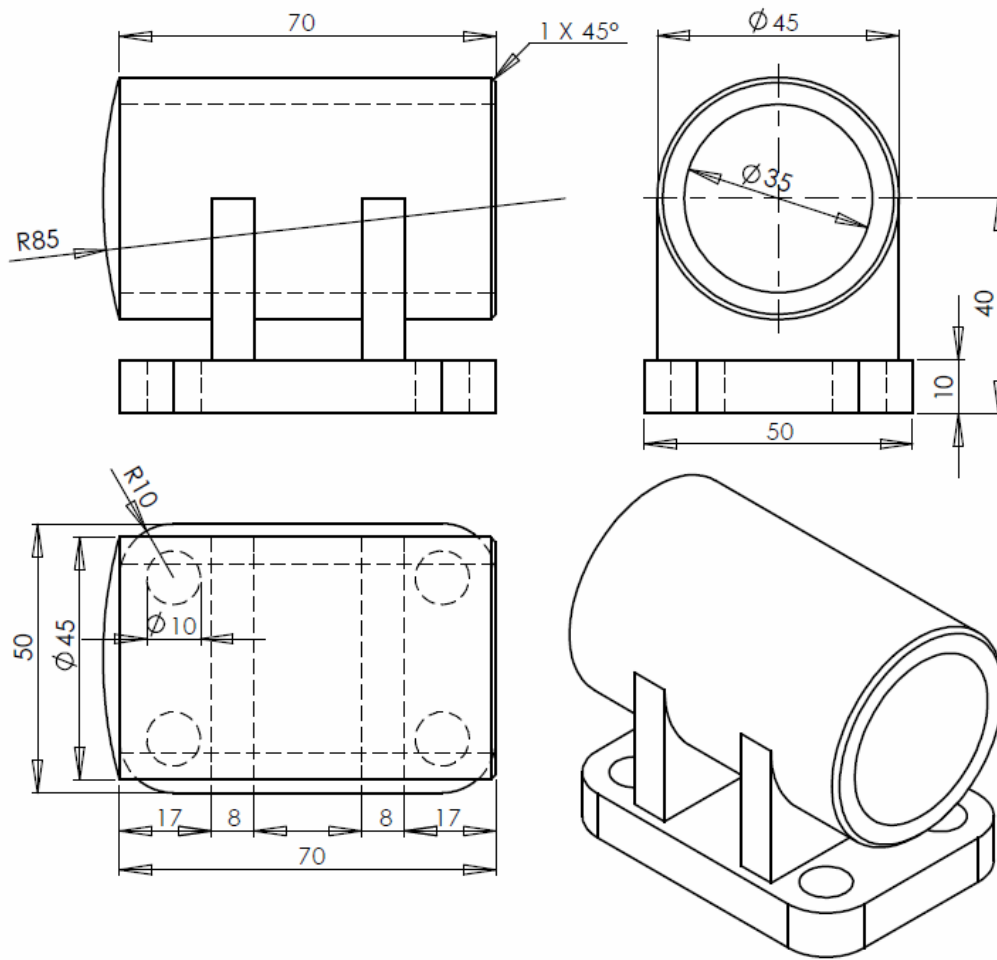
SECTION A-A

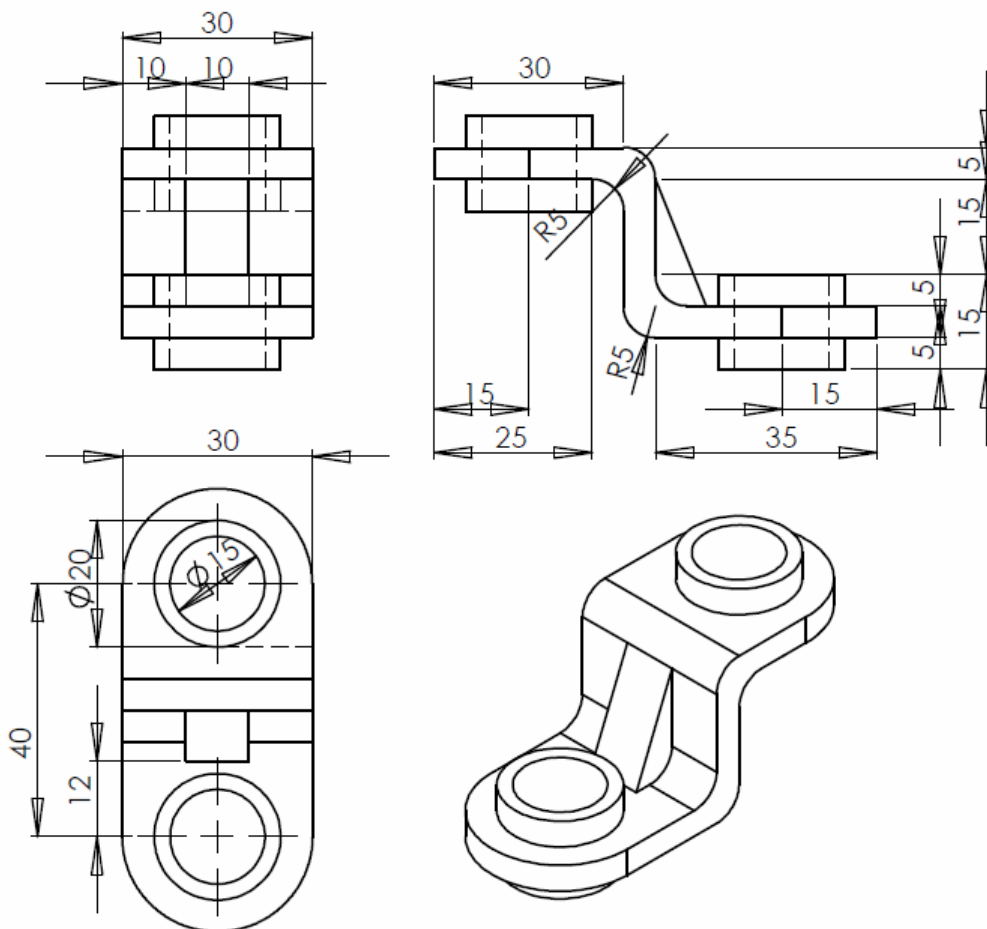
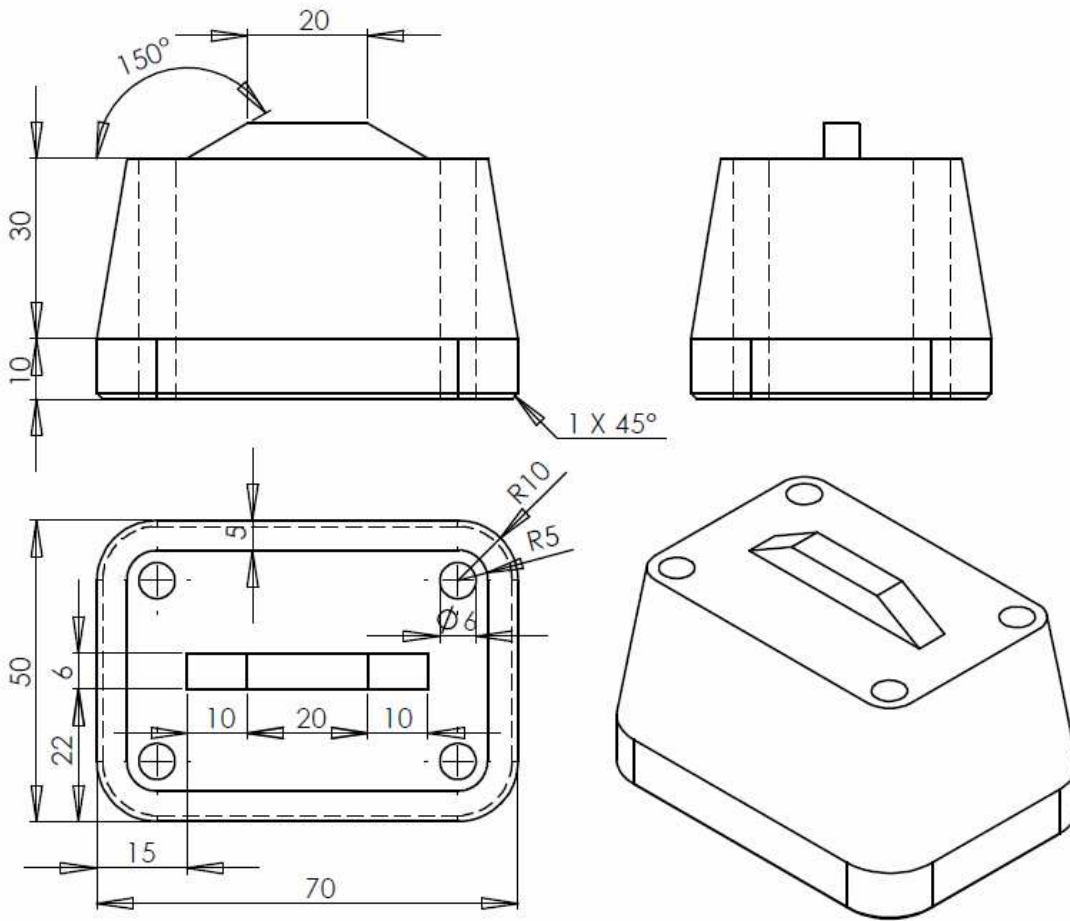


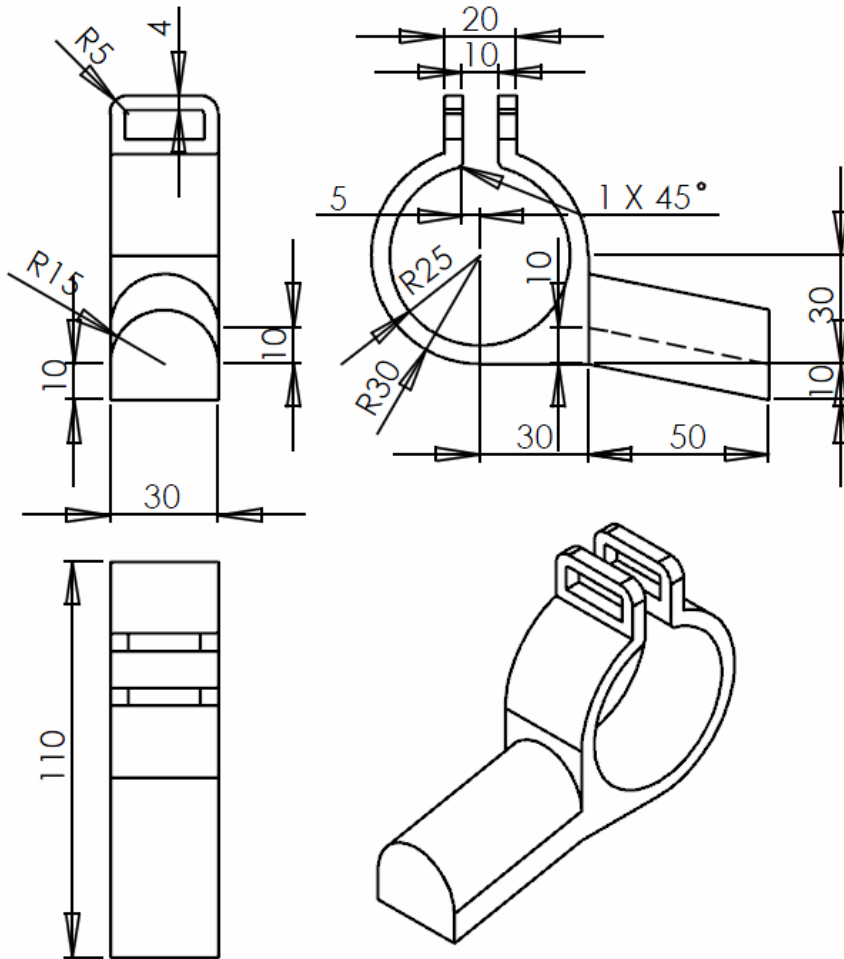
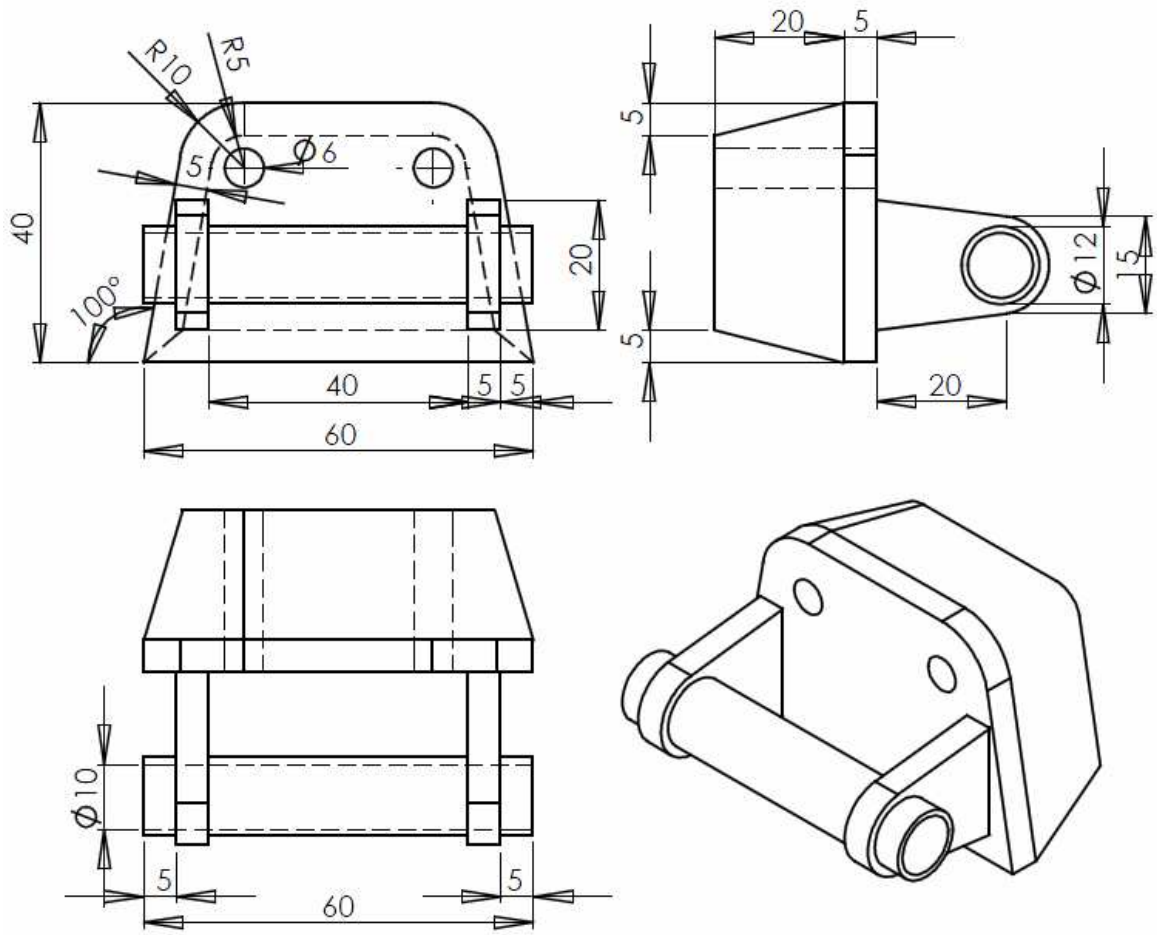


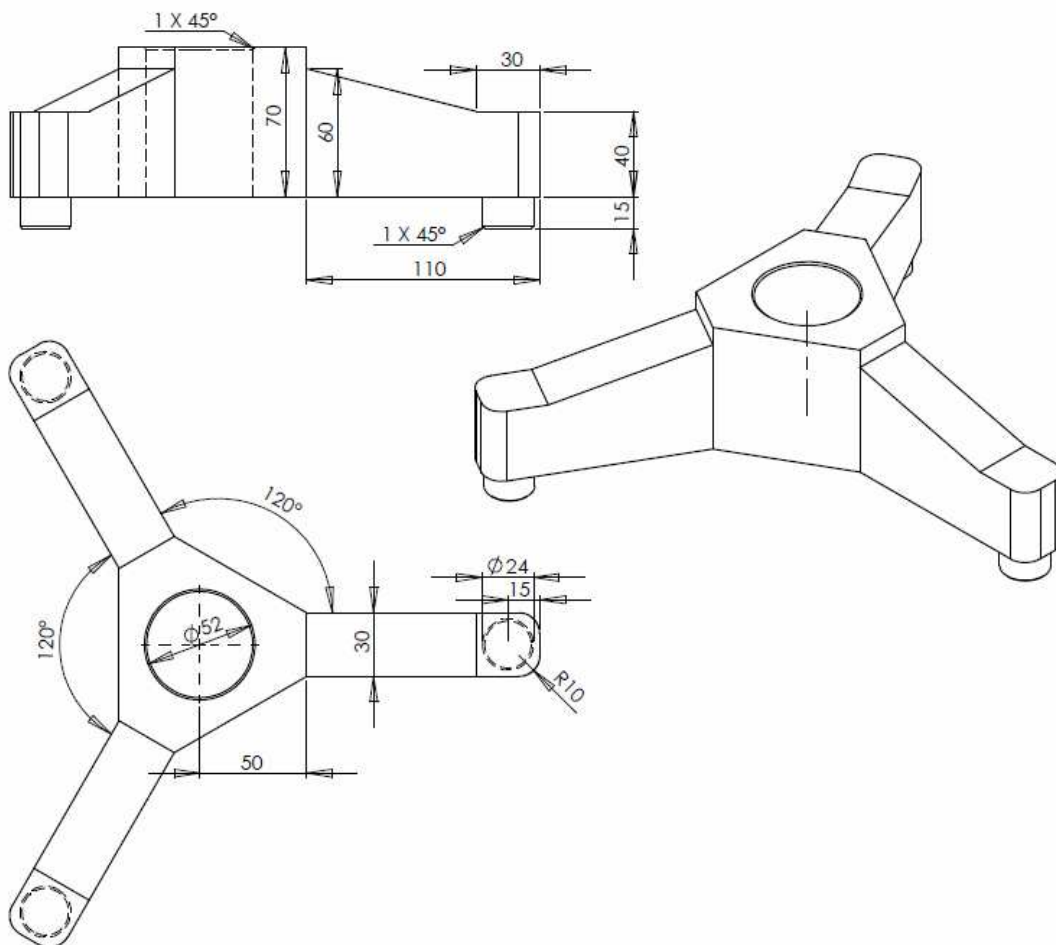
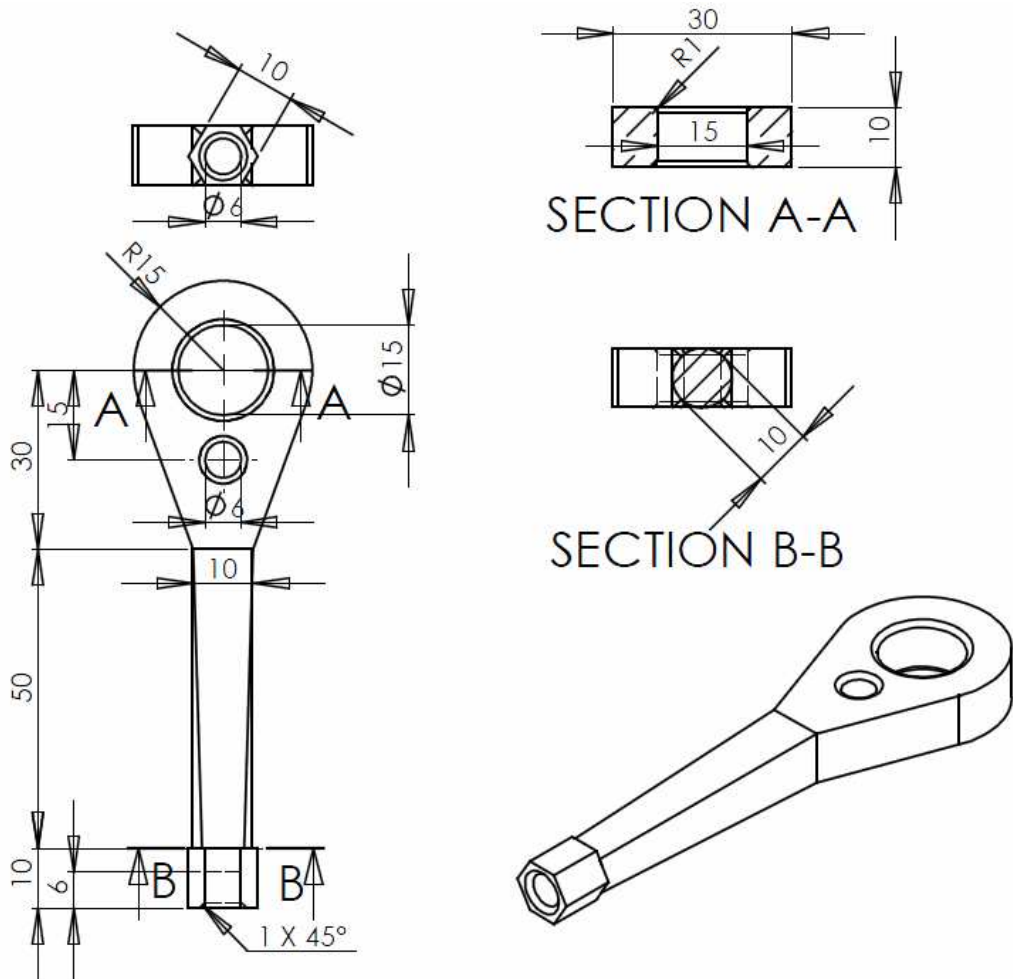
SECTION A-A

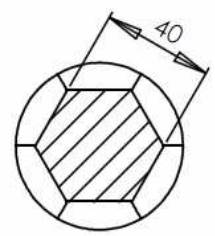
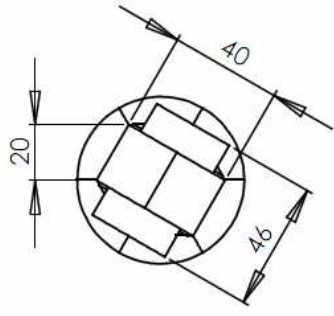
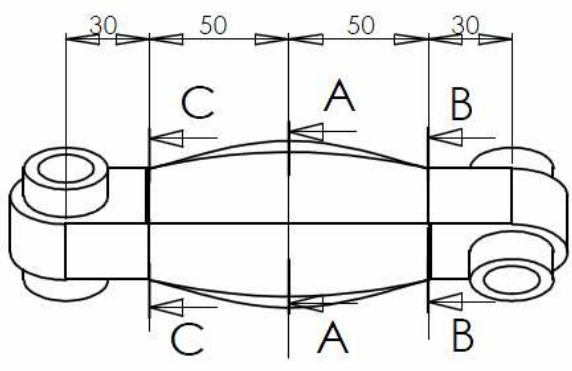
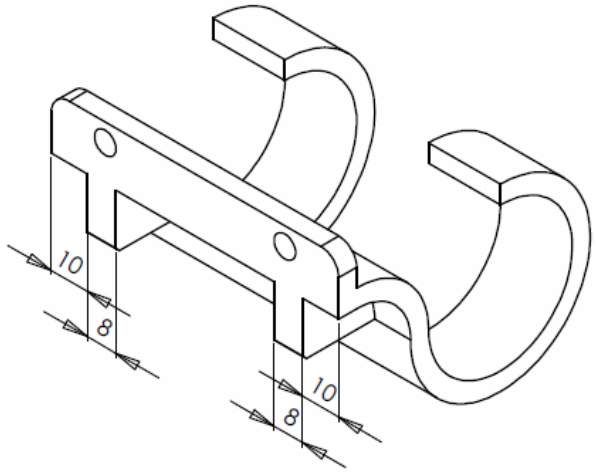
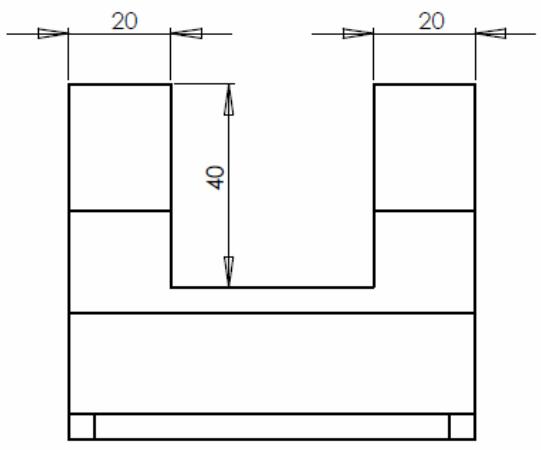
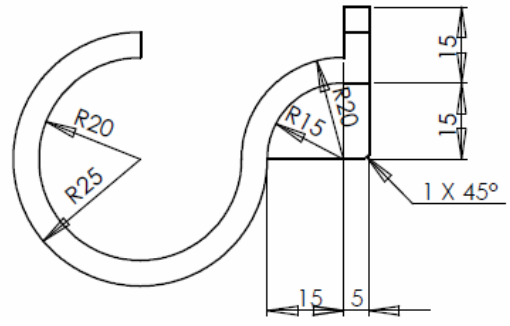
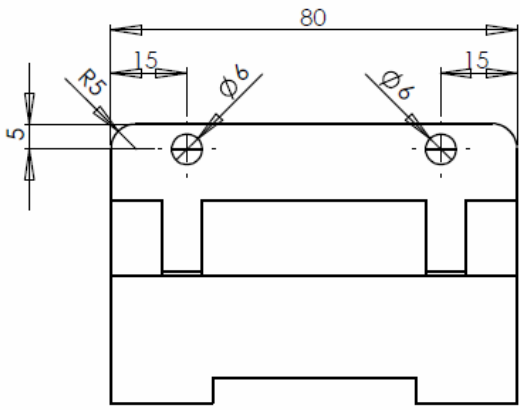




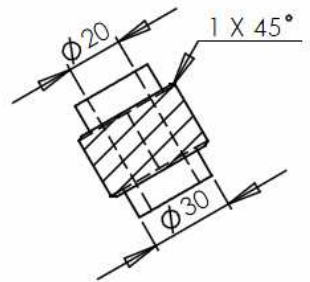
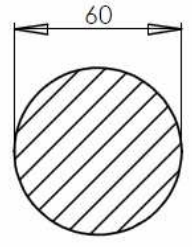
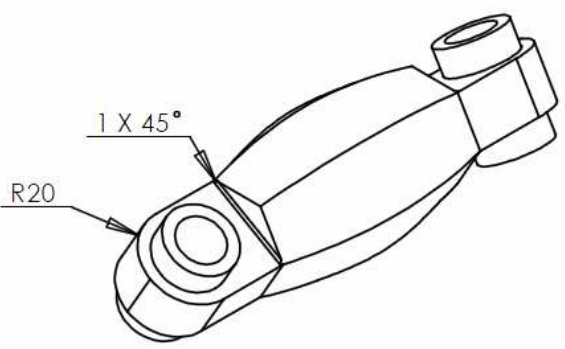








SECTION B-B



SECTION A-A

SECTION C-C